

3. EU Specifications. BMW M6 Coupe.



		BMW M6 Coupe
Body		
No. of doors/seats		2 / 4
Length/width/height (unladen)	mm	4898 / 1899 / 1368
Wheelbase	mm	2851
Track, front/rear	mm	1630 / 1612
Ground clearance	mm	107
Turning circle	m	12.1
Tank capacity	approx. l	80
Cooling system incl heating	l	18,5
Engine oil ¹⁾	l	8.4
Weight, unladen, to DIN/EU	kg	1850 / 1925
Max load to DIN	kg	500
Max permissible weight	kg	2350
Max axle load, front/rear	kg	1180 / 1220
Max trailer load, braked (12%/unbraked)	kg	- / -
Max roof load/towbar download	kg	- / -
Luggage comp capacity	l	460
Air drag	$c_d \times A$	0.33 x 2.29
Engine		
Configuration/No of cyls/valves		V90 / 8 / 4
Engine technology		M TwinPower Turbo technology with cross-bank exhaust manifold, Twin Scroll Twin Turbo technology, High Precision Direct Petrol Injection, VALVETRONIC and Double-Vanos
Effective capacity	cm ³	4395
Bore/stroke	mm	88.3 / 89.0
Compression ratio	:1	10.0
Fuel grade		RON 98 (min 95)
Output	kW/hp	412 / 560
at	min ⁻¹	6000 – 7000
Torque	Nm	680
at	min ⁻¹	1500 – 5750
Electrical system		
Battery/Installation	Ah/-	105 / luggage comp
Alternator	A/W	210 / 2926
Driving dynamics and safety		
Suspension, front		Double track control arm with M-specific elastokinematics, small, negative steering roll radius, anti-dive
Suspension, rear		Integral-V multi-arm axle with M-specific elastokinematics, spatial suspension with anti-squat and anti-dive
Brakes, front		Six-piston fixed-calliper compound disc brakes
Diameter	mm	400 x 36 / vented
Brakes, rear		Single-piston floating-calliper compound disc brakes
Diameter	mm	396 x 24 / vented
Driving stability systems		Standard: DSC incl. ABS, ASC and MDM (M Dynamic Mode), CBC (Cornering Brake Control), DBC (Dynamic Brake Control), Dry Braking function, Start-Off Assistant, M Dynamic Damper Control, Active M Differential, linked to ICM (Integrated Chassis Management)
Safety equipment		Standard: airbags for driver and front passenger, side airbags for driver and front passenger, head airbags for front and rear seats, three-point inertia-reel seatbelts on all seats with belt latch tensioner and belt force limiter at the front, crash-activated head restraints at the front, crash sensors, Tyre Defect Indicator
Steering		Hydraulic rack-and-pinion steering with M-specific Servotronic function
Steering ratio, overall	:1	13.1
Tyres, front/rear		265/40 R19 102Y 295/35 R19 104Y
Rims, front/rear		9.5J x 19 LM 10.5J x 19 LM

BMW M6 Coupe

BMW ConnectedDrive

Convenience	Optional: BMW Assist incl. Enquiry Service, remote-control functions, Real-Time Traffic Information, BMW TeleServices, integration of mobile devices
Infotainment	Optional: internet access, BMW Online incl. Park Info, National Info, Google Local Search, News, Realtime Weather, BMW Routes, Office functions, Bluetooth Audio Streaming, Online Update Music Tracks, Apps
Safety	Optional: High Beam Assistant, Park Distance Control, rear-view camera, Surround View incl. Top View and Side View, BMW Night Vision with pedestrian recognition, Head-Up Display, Lane Change Warning, Lane Departure Warning, Speed Limit Info, Advanced eCall

Transmission

Type of gearbox	Seven-speed M Double Clutch Transmission with Drivelogic	
Gear ratios	I	4.806
	II :1	2.593
	III :1	1.701
	IV :1	1.277
	V :1	1.000
	VI :1	0.844
	VII :1	0.671
	R :1	4.172
Final drive	:1	3.154

Performance

Power-to-weight ratio	kg/kW	4.5
Output per litre	kW/l	93.7
Acceleration	0–100 km/h	s
	0–1000 m	s
		21.9
in 4 th /5th gear	80–120	s
		3.6 / 4.5
Top speed	km/h	250 / 305 ²⁾

BMW EfficientDynamics

BMW EfficientDynamics standard features	Brake Energy Regeneration with recuperation display, Auto Start-Stop function, intelligent lightweight construction, on-demand operation of ancillary units, flow rate-controlled power steering pump, tyres with reduced rolling resistance
---	--

Fuel consumption EU

Urban	l/100km	14.0
Extra-urban	l/100km	7.6
Combined	l/100km	9.9
CO ₂	g/km	232
Emission rating		EU5

Insurance group

3P / FCC / FC	3)
---------------	----

Specifications apply to ACEA markets; data relevant to homologation applicable in part only to Germany (weight)

- ¹⁾ Oil change quantity
- ²⁾ In conjunction with optional M Driver's Package
- ³⁾ Data not yet available

BMW M6 Convertible.

		BMW M6 Convertible
Body		
No. of doors/seats		2 / 4
Length/width/height (unladen)	mm	4898 / 1899 / 1368
Wheelbase	mm	2851
Track, front/rear	mm	1630 / 1612
Ground clearance	mm	107
Turning circle	m	12.1
Tank capacity	approx. l	80
Cooling system incl heating	l	18,5
Engine oil ¹⁾	l	8.4
Weight, unladen, to DIN/EU	kg	1980 / 2055
Max load to DIN	kg	430
Max permissible weight	kg	2410
Max axle load, front/rear	kg	1200 / 1260
Max trailer load, braked (12%/unbraked)	kg	- / -
Max roof load/towbar download	kg	- / -
Luggage comp capacity	l	300 – 350
Air drag	$c_d \times A$	0.33 x 2.29
Engine		
Configuration/No of cyls/valves		V90 / 8 / 4
Engine technology		M TwinPower Turbo technology with cross-bank exhaust manifold, Twin Scroll Twin Turbo technology, High Precision Direct Petrol Injection, VALVETRONIC and Double-Vanos
Effective capacity	cm ³	4395
Bore/stroke	mm	88.3 / 89.0
Compression ratio	:1	10.0
Fuel grade		RON 98 (min 95)
Output	kW/hp	412 / 560
at	min ⁻¹	6000 – 7000
Torque	Nm	680
at	min ⁻¹	1500 – 5750
Electrical system		
Battery/Installation	Ah/-	105 / luggage comp
Alternator	A/W	210 / 2926
Driving dynamics and safety		
Suspension, front		Double track control arm with M-specific elastokinematics, small, negative steering roll radius, anti-dive
Suspension, rear		Integral-V multi-arm axle with M-specific elastokinematics, spatial suspension with anti-squat and anti-dive
Brakes, front		Six-piston fixed-calliper compound disc brakes
Diameter	mm	400 x 36 / vented
Brakes, rear		Single-piston floating-calliper compound disc brakes
Diameter	mm	396 x 24 / vented
Driving stability systems		Standard: DSC incl. ABS, ASC and MDM (M Dynamic Mode), CBC (Cornering Brake Control), DBC (Dynamic Brake Control), Dry Braking function, Start-Off Assistant, M Dynamic Damper Control, Active M Differential, linked to ICM (Integrated Chassis Management)
Safety equipment		Standard: airbags for driver and front passenger, side airbags for driver and front passenger combined with head airbags, three-point inertia-reel seatbelts on all seats with belt latch tensioner and belt force limiter at the front, crash-activated head restraints at the front, roll-over protection system, crash sensors, Tyre Defect Indicator
Steering		Hydraulic rack-and-pinion steering with M-specific Servotronic function
Steering ratio, overall	:1	13.1
Tyres, front/rear		265/40 R19 102Y 295/35 R19 104Y
Rims, front/rear		9.5J x 19 LM 10.5J x 19 LM

BMW M6 Convertible

BMW ConnectedDrive

Convenience	Optional: BMW Assist incl. Enquiry Service, remote-control functions, Real-Time Traffic Information, BMW TeleServices, integration of mobile devices
Infotainment	Optional: internet access, BMW Online incl. Park Info, National Info, Google Local Search, News, Realtime Weather, BMW Routes, Office functions, Bluetooth Audio Streaming, Online Update Music Tracks, Apps
Safety	Optional: High Beam Assistant, Park Distance Control, rear-view camera, Surround View incl. Top View and Side View, BMW Night Vision with pedestrian recognition, Head-Up Display, Lane Change Warning, Lane Departure Warning, Speed Limit Info, Advanced eCall

Transmission

Type of gearbox	Seven-speed M Double Clutch Transmission with Drivelogic	
Gear ratios	I	4.806
	II	2.593
	III	1.701
	IV	1.277
	V	1.000
	VI	0.844
	VII	0.671
	R	4.172
Final drive		3.154

Performance

Power-to-weight ratio	kg/kW	4.8
Output per litre	kW/l	93.7
Acceleration	0–100 km/h	s
	0–1000 m	s
		22.1
in 4 th /5th gear	80–120	s
		3.8 / 4.8
Top speed	km/h	250 / 305 ²⁾

BMW EfficientDynamics

BMW EfficientDynamics standard features	Brake Energy Regeneration with recuperation display, Auto Start-Stop function, intelligent lightweight construction, on-demand operation of ancillary units, flow rate-controlled power steering pump, tyres with reduced rolling resistance
---	--

Fuel consumption EU

Urban	l/100km	14.4
Extra-urban	l/100km	7.9
Combined	l/100km	10.3
CO ₂	g/km	239
Emission rating		EU5

Insurance group

3P / FCC / FC	3)
---------------	----

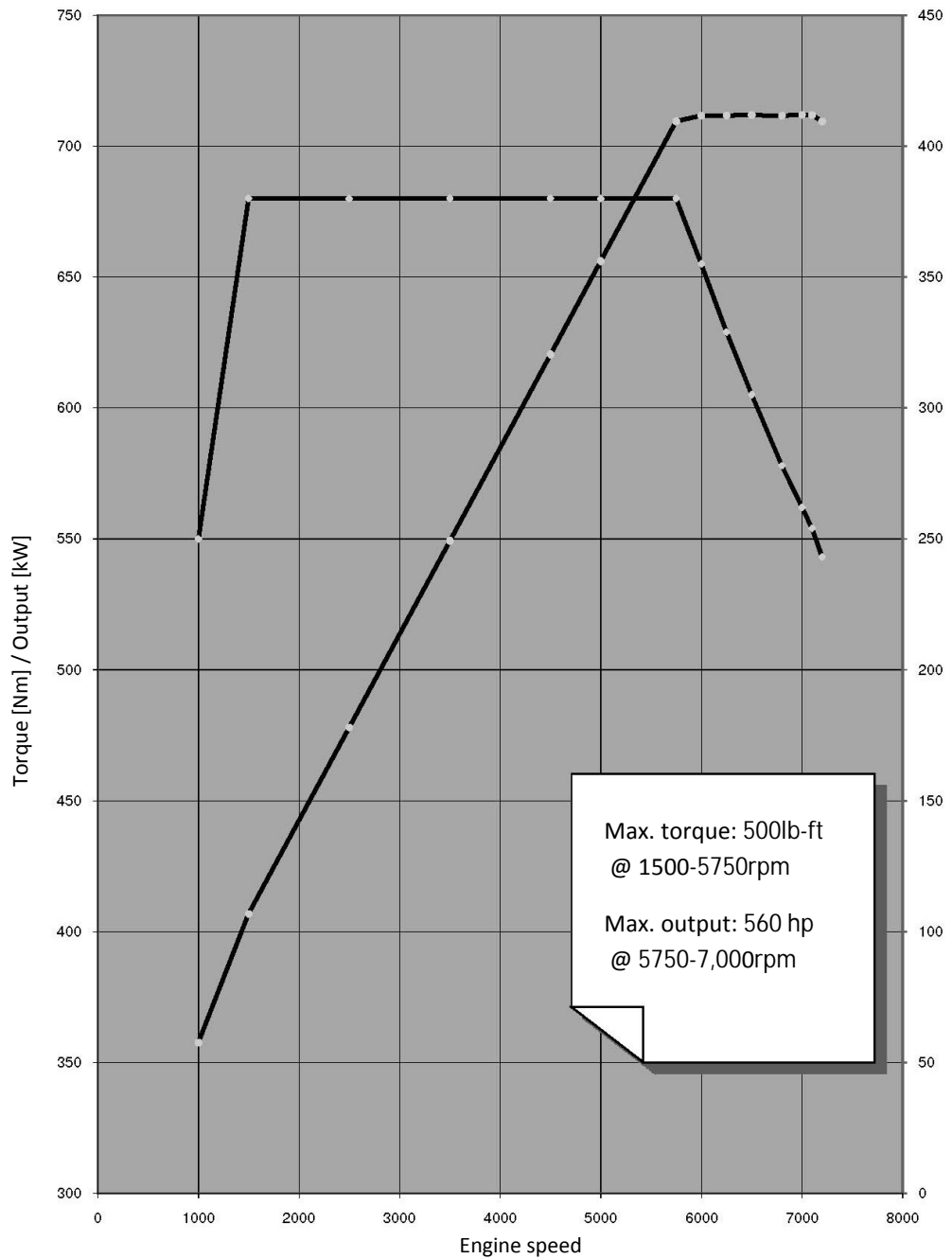
Specifications apply to ACEA markets; data relevant to homologation applicable in part only to Germany (weight)

¹⁾ Oil change quantity

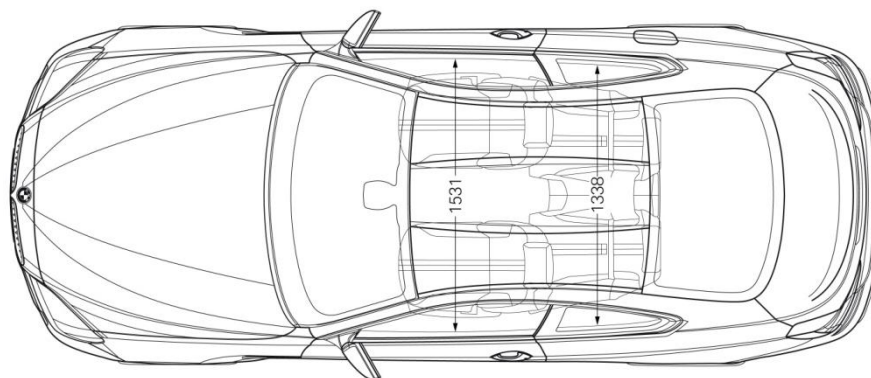
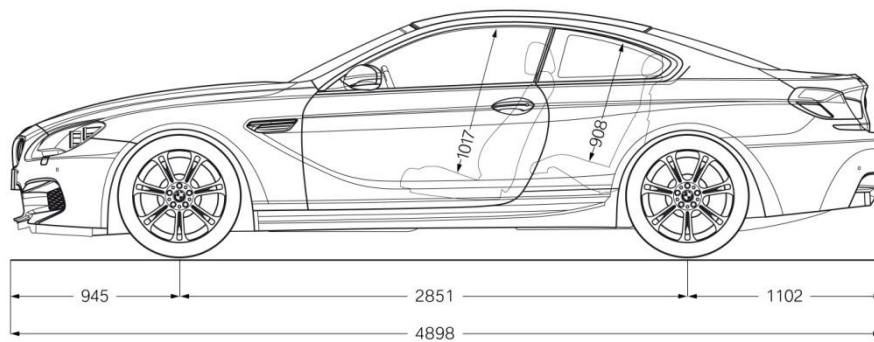
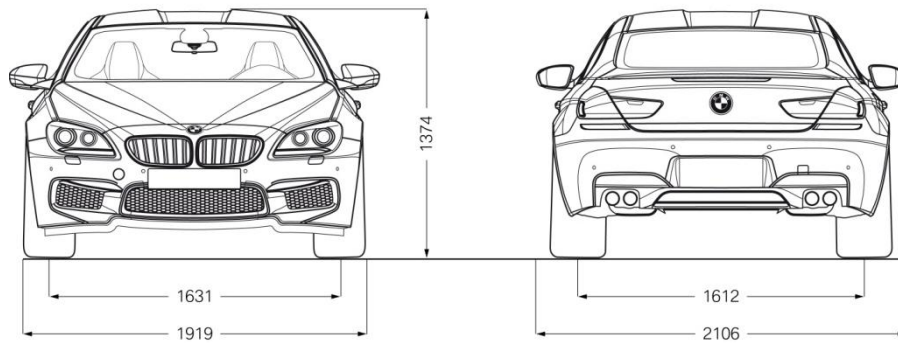
²⁾ In conjunction with optional M Driver's Package

³⁾ Data not yet available

4. Output and torque diagrams.



5. Exterior and interior dimensions. BMW M6 Coupe.



BMW M6 Convertible.

